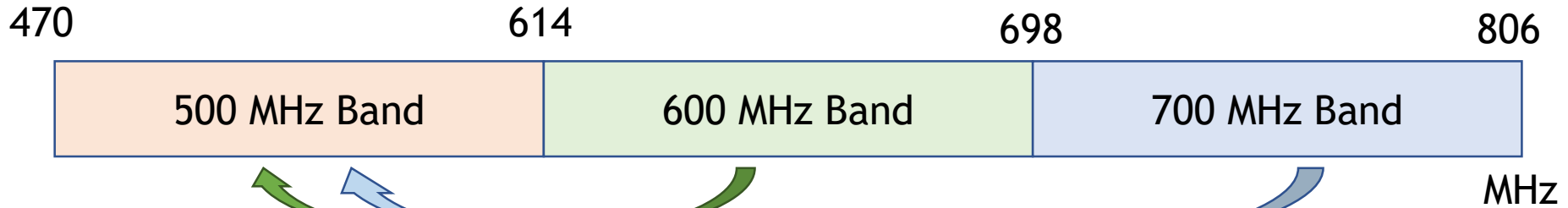


# Points to Note for Contractors of Common Antenna Broadcast Distribution (CABD) Systems / In-building Coaxial Cable Distribution Systems (IBCCDS)



# Background



## Channel Migration

- Use of new frequencies in the **500** MHz band to transmit the DTT programme channels currently transmitted by the frequencies in the **600/700** MHz bands

## Future Use of **600/700** MHz Bands

- Public mobile services including 5G

# Details of Channel Migration

Broadcaster	Digital TV Programme Channel	Existing DTT Frequency Channel	New DTT Frequency Channel
Radio Television Hong Kong (RTHK)	RTHK TV 31	UHF Ch 62 (798 - 806 MHz)	UHF Ch 27 (518 - 526 MHz)
	RTHK TV 32		
	RTHK TV 33		
Television Broadcasts Limited (TVB)	Jade 81	14 DTT frequency channels in 470 to 806 MHz band using Multiple Frequency Network (MFN)	UHF Ch 37 (598 - 606 MHz)
HK Television Entertainment Company Limited (HKTVE)	ViuTVsix 96		
	ViuTV 99		

## Remarks:

Digital TV programme channels 82, 83, 84 and 85 (i.e. J2, TVB News, Pearl and TVB Finance & Information respectively) will continue to use UHF Ch 35 (582 - 590 MHz) for broadcasting

# Timetable

1 Dec 2020

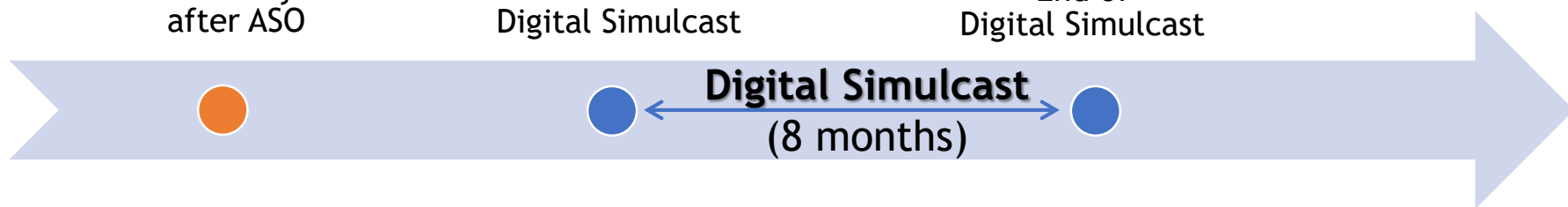
The Day  
after ASO

1 Apr 2021

Start of  
Digital Simulcast

30 Nov 2021

End of  
Digital Simulcast



Digital TV Programme Channel	DTT Frequency Channel		
	Before 1 Apr 2021	1 Apr to 30 Nov 2021	1 Dec 2021 onwards
RTHK TV 31 RTHK TV 32 RTHK TV 33	<ul style="list-style-type: none"> <li>UHF Ch 62</li> </ul>	<ul style="list-style-type: none"> <li>UHF Ch 62</li> <li>UHF Ch 27 <b>NEW</b></li> </ul>	<ul style="list-style-type: none"> <li>UHF Ch 27 <b>NEW</b></li> </ul>
Jade 81 ViuTVsix 96 ViuTV 99	<ul style="list-style-type: none"> <li>14 DTT frequency channels in 470-806 MHz band</li> </ul>	<ul style="list-style-type: none"> <li>14 DTT frequency channels in 470-806 MHz band</li> <li>UHF Ch 37 <b>NEW</b></li> </ul>	<ul style="list-style-type: none"> <li>UHF Ch 37 <b>NEW</b></li> </ul>

# Roles of BMOs/IOs

- OFCA has sent out circular letters to relevant stakeholders including building management offices / incorporated owners (BMOs/IOs) of most residential, commercial and industrial buildings and other premises receiving DTT starting from early Feb 2021
- BMO/IO is expected to check with its CABD system / IBCCDS contractor to
  - a) **confirm** if the TV signals transmitted on the new frequencies can be received and distributed by the existing CABD system / IBCCDS;
  - b) **arrange** reconfiguration of the CABD system / IBCCDS where appropriate; and
  - c) **inform** the residents / users whether and when channel rescanning on their TV sets / DTT receivers are required

# Action Items for CABD System / IBCCDS Contractors

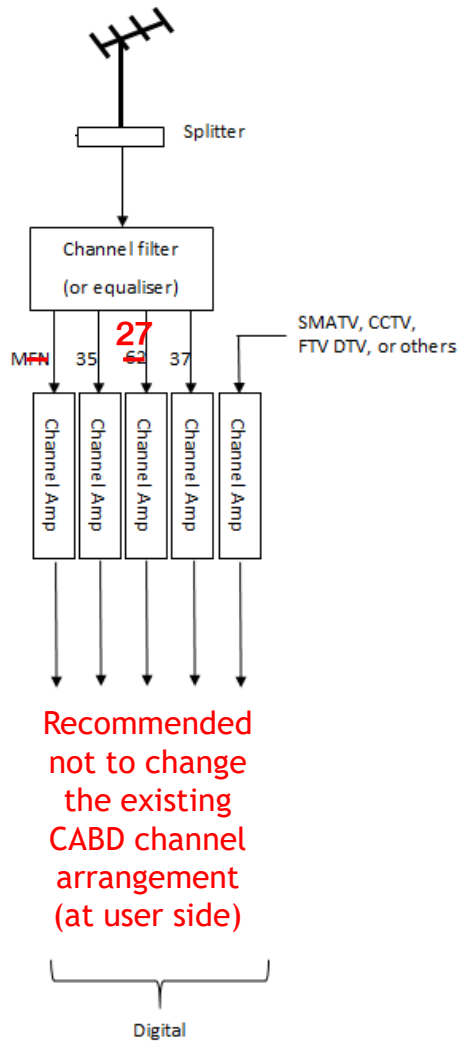
- CABD system / IBCCDS contractors should therefore
  - a) **follow up** proactively with BMOs/IOs for those CABD systems / IBCCDS under their maintenance;
  - b) **procure** necessary equipment as soon as possible;
  - c) **plan** and **complete** the reconfiguration work as early as possible within the Digital Simulcast period, and in any case all works must be completed before 30 Nov 2021; and
  - d) **assist** BMOs/IOs to inform residents / users whether and when they would need to perform rescanning on their TV sets / DTT receivers

# Technical Information on CABD System / IBCCDS Reconfiguration

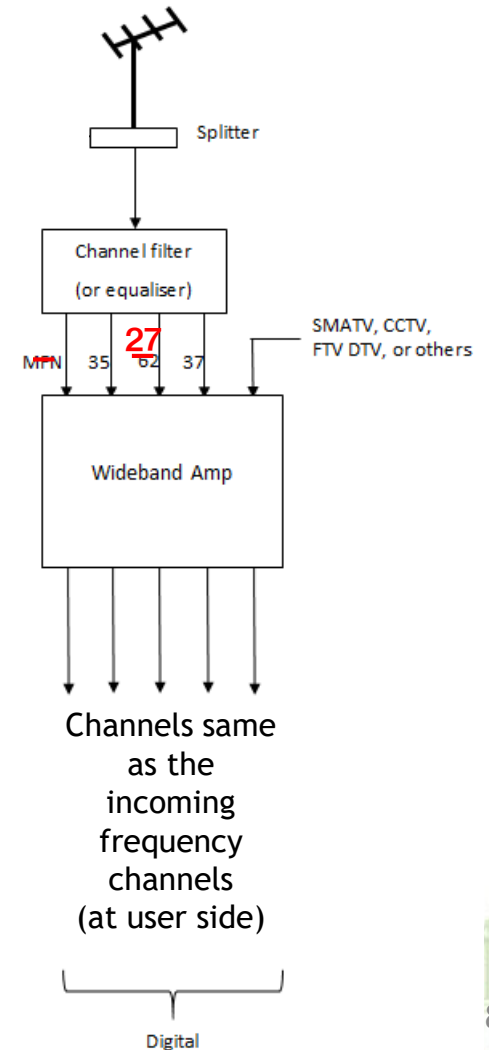


# Typical Head-end Equipment Design

Type A

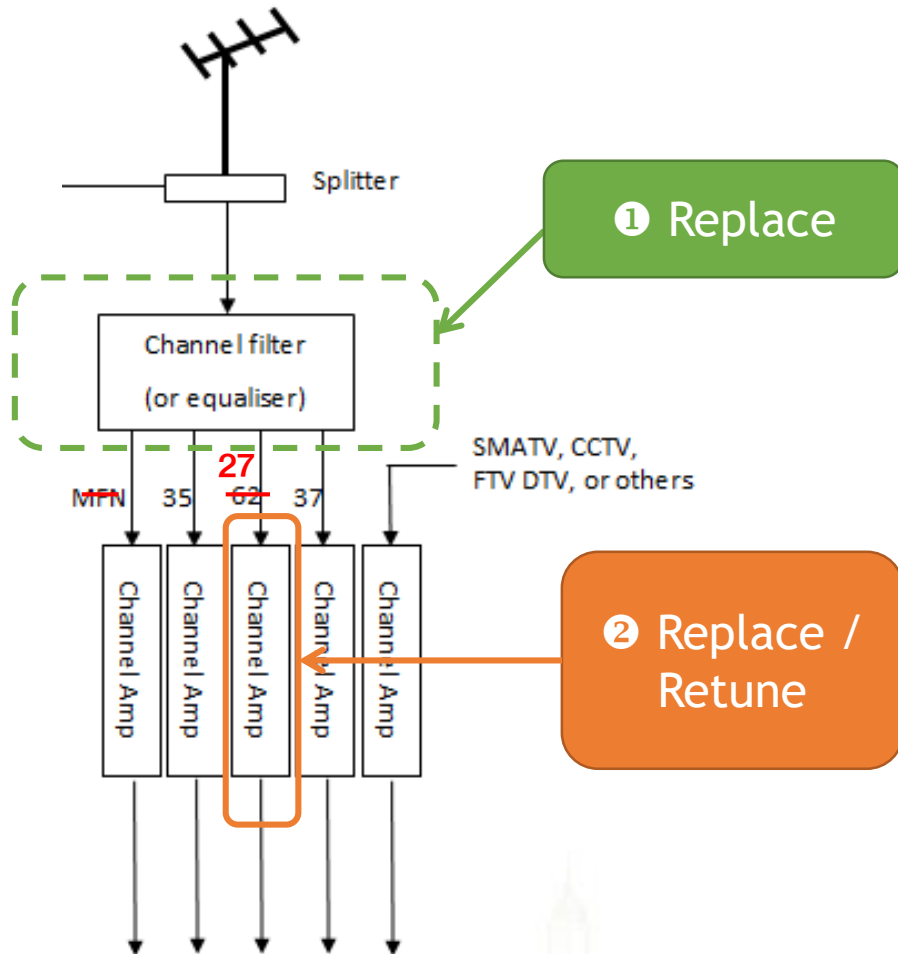


Type B





# Required Tasks for CABD System / IBCCDS Reconfiguration



Recommended not to change the existing CABD channel arrangement (at user side)

## Objectives:

- Minimise** the disturbance to the viewing public
- Secure** sufficient rejection against potential interference from the 600/700 MHz bands

# Way Forward

- OFCA would invite CABD system / IBCCDS contractors to update the progress of the reconfiguration for systems in buildings in due course
- CABD system / IBCCDS contractors are welcome to contact OFCA for enquiry



# Thank You

